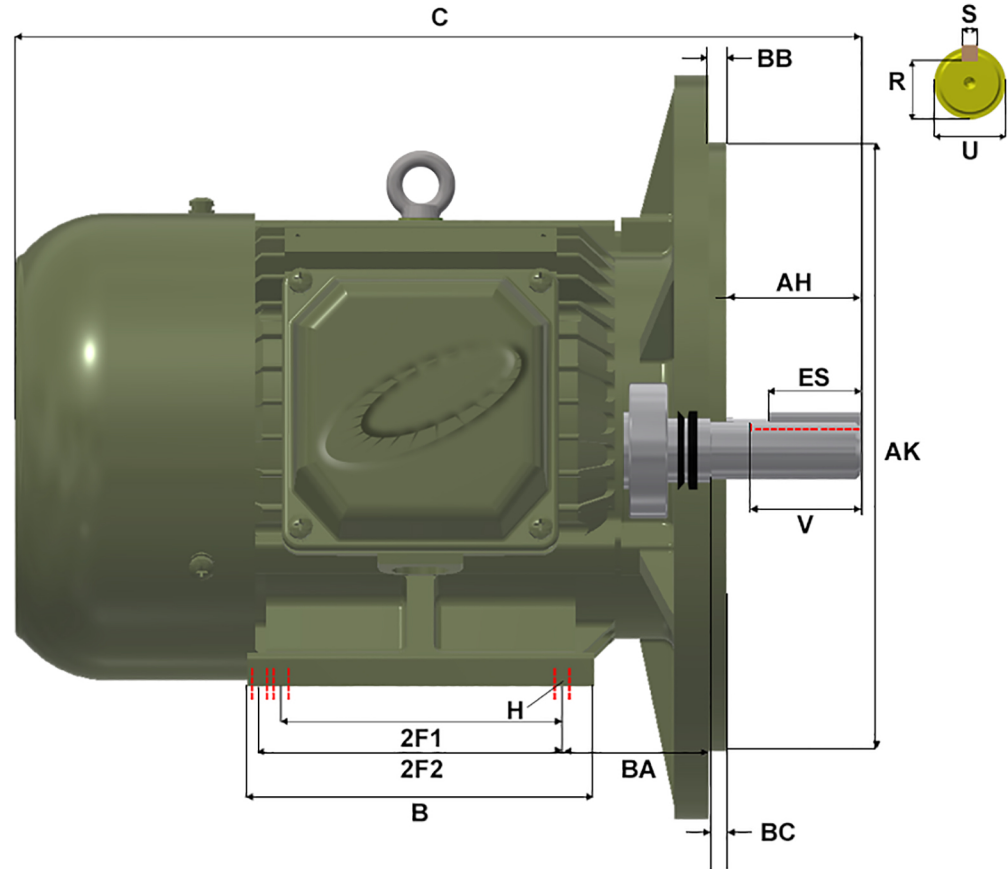
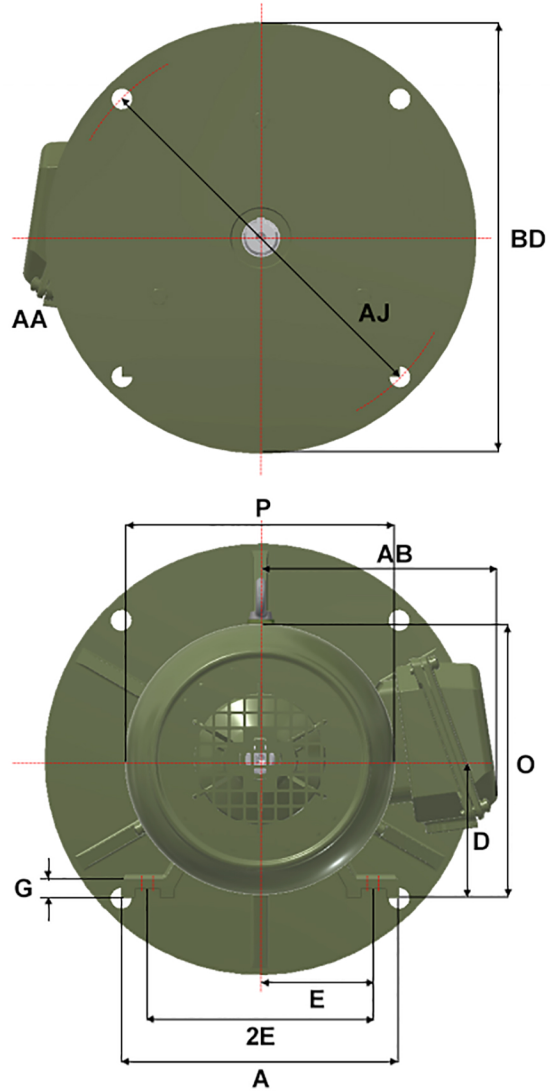


MaxMotion



Version: 1WTI		Revised: 07-01-2019		HP	RPM	FRAME	ENCLOSURE	MPP/MQP-49D									
Customer is responsible in determining that MEP product will fit/perform suitably in the intended application								25	900	326TD	TEFC						
A	B	C	D	E	2E	2F1	2F2	G	H	O	P	R	S				
15,50	14,70	31,30	8,00	6,25	12,50	10,50	12,00	1,00	6 * 0,66	15,90	15,70	1,85	0,50				
T	U	V	AA	AB	AH	AJ	AK	BA	BB	BC	BD	ES					
2,60	2,13	5,00	2 NPT	12,30	5,25	16,00	14,00	5,25	0,25	0,00	18,00	3,91					